

Festoon Systems for Square Rails

Program 0270 | 0280



CONDUCTIX
wampfler

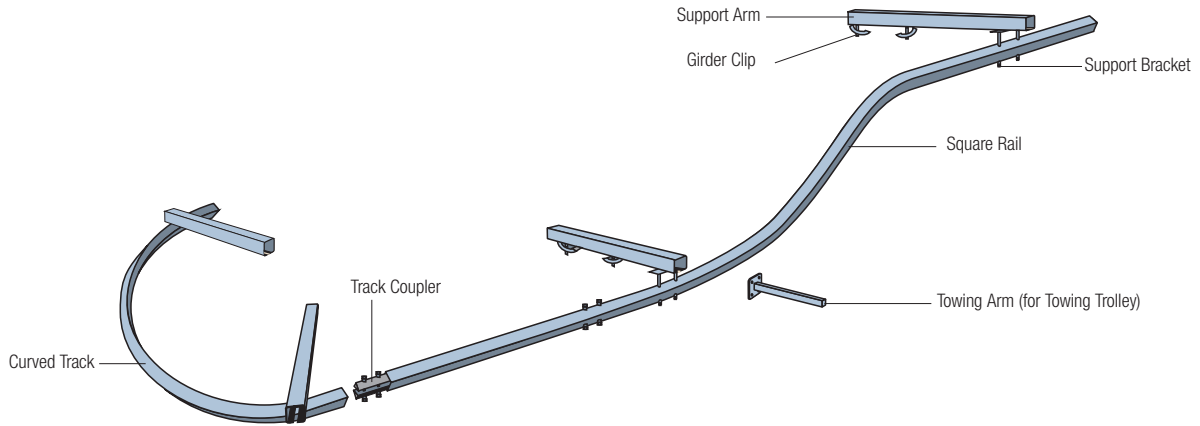
Contents

System Arrangement	5
Square Rails for Curved Track	5
Cable Trolley System for Flat Cables	5
Cable Trolley System for Round Cables	5
Square Rails and Accessories for Curved Track Program 0270	6
Square Rails 30 x 30	6
90° Curves	6
Track Couplers	6
Support Brackets	7
End Stops	7
Drilling Fixture	7
End Caps	7
Cable Trolleys for Flat Cable Program 0270	8
Plastic Cable Trolley and Cable Support	8
Steel Cable Trolley and Cable Support	8
Cable Trolleys for Round Cable and Hose Program 0270	10
Plastic Cable Trolleys with Ball Joints	10
Plastic Cable Trolleys with Brackets	11
Ideal Control Unit Trolley Program 0270	12
Ideal Control Unit Trolley with Plug and Socket Connection	12
Ideal Control Unit Trolley with Plastic Terminal Box	12
Square Rails and Accessories for Curved Track Program 0280	13
Square Rails 40 x 40	13
90° Curves	13
Track Couplers	13
Support Brackets	13
End Stops	14
Drilling Fixture	14
End Caps	14
Cable Trolleys for Flat Cable/Round Cable Program 0280	15
Steel Cable Trolleys for Flat Cables	15
Steel Cable Trolleys for Round Cables	15
Accessories for Cable Trolley Program 0270/0280	16
Support Arms	16
Towing Arms	18
Tow Ropes	18
Girder Clips	18
Example of Use	19
Project Planning	20
Determining the Support Distance	20
Load Diagram	20
Technical Data	22
Calculating the number of Cable Loops, required Cable Length and Loop Length	22

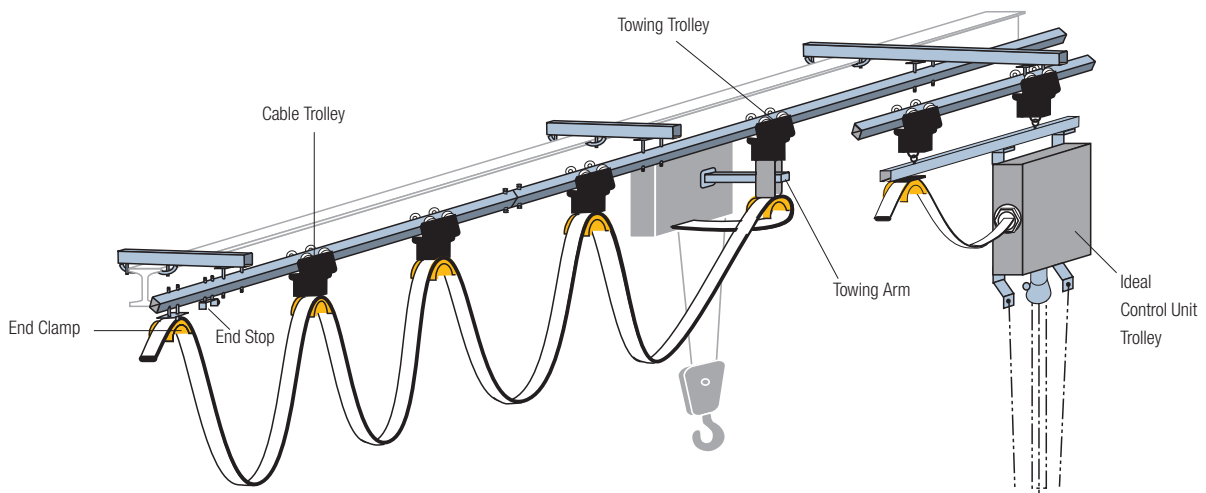


System Arrangement

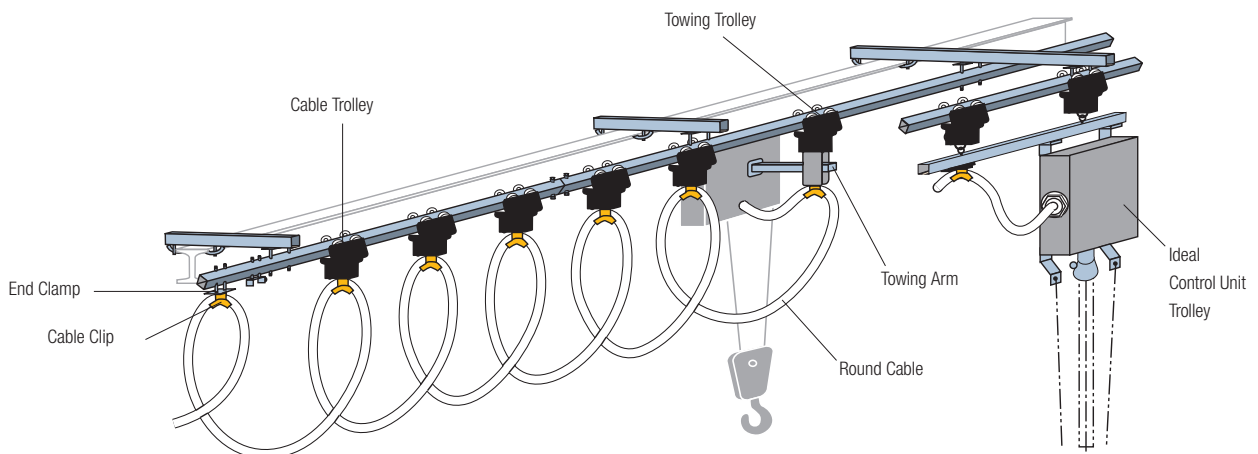
Square Rails for Curved Track



Cable Trolley System for Flat Cables

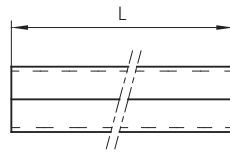
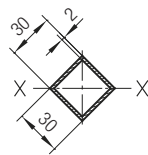
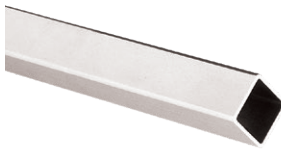


Cable Trolley System for Round Cables



Square Rails and Accessories for Curved Tracks Program 0270

Square Rails 30 x 30

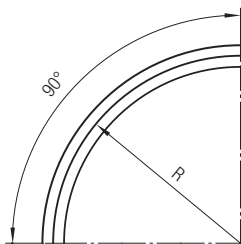


Part No.	Material	L [mm]	Static Values	Weight [kg/m]
027200-6	Galvanized Steel	6000	$I_x = 2.95 \text{ cm}^4$ $W_x = 1.39 \text{ cm}^3$	1.77
027200-4*	Steel	4000		
027400-6	Stainless Steel	6000		
027400-4	Steel (V4A)	4000		

* Standard range

*

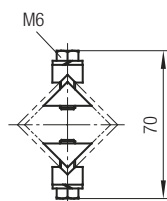
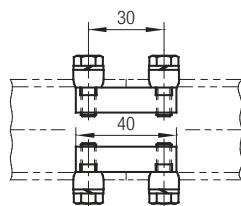
90° Curves



Part No.	Material	R [mm]	Stretched Length [mm]	Cable Loop max. 0.7 x R	Weight [kg]
027203-00400*	Galvanized Steel	400	630	280	1.10
027203-00600*		600	945	420	1.70
027203-00800*		800	1260	560	2.25
027203-01000*		1000	1570	700	2.80
027203-01200*		1200	1885	840	3.35
027203-01400*		1400	2200	980	3.90
027203-01600*		1600	2510	1120	4.45
027203-01800*		1800	2890	1260	5.00
027203-02000*	2000	3140	1400	5.55	
027403-01000	Stainless Steel (V4A)	1000	1570	700	2.80
027403-01200		1200	1885	840	3.35
027403-01400		1400	2200	980	3.90
027403-01600		1600	2510	1120	4.45
027403-01800		1800	2890	1260	5.00
027403-02000		2000	3140	1400	5.55

* Standard range

Track Couplers



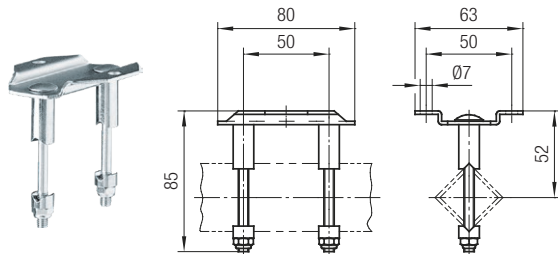
Part No.	Material	Weight [kg]
027210*	Galvanized Steel	0.10
027410	Stainless Steel (V4A)	0.10

* Standard range

Square Rails and Accessories for Curved Tracks Program 0270

Track Support Brackets

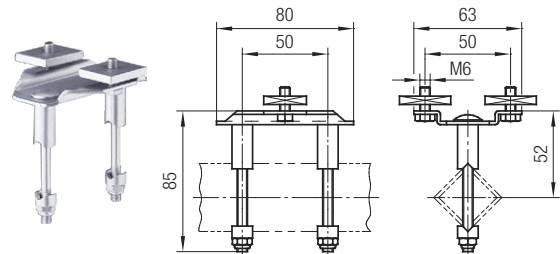
For ceiling mounting



Part No.	Material	Max. Load [kg]	Weight [kg]
027220*	Galv. Steel	125	0.14
027420	SST (V4A)	125	0.14

* Standard range

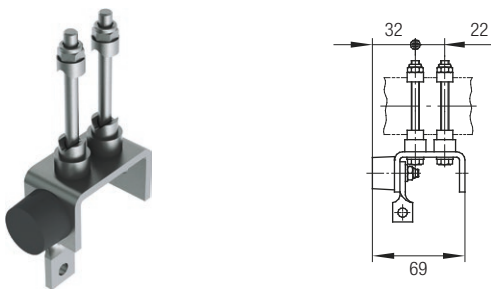
For mounting on Support Arms 30 x 32 x 2 and 40 x 40 x 2.5 mm



Part No.	Material	Max. Load [kg]	Weight [kg]
027222*	Galv. Steel	125	0.14
027422	SST (V4A)	125	0.14

* Standard range

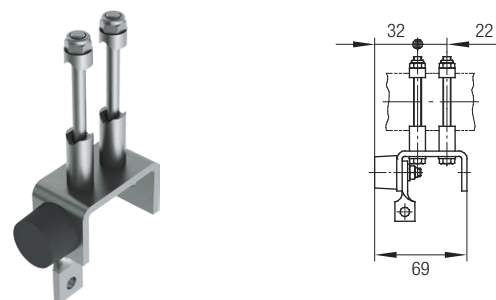
End Stops for Plastic Cable Trolleys



Part No.	Material	Weight [kg]
027112*	Galvanized Steel; Rubber Buffer	0.21
027408	Stainless Steel (V4A); Rubber Buffer	0.21

* Standard range

End Stop for Steel Cable Trolleys

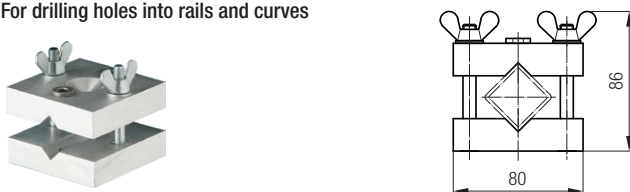


Part No.	Material	Weight [kg]
027111*	Galvanized Steel; Rubber Buffer	0.21

* Standard range

Drilling Fixture

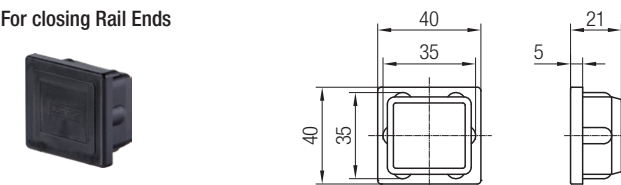
For drilling holes into rails and curves



Part No.	Material	Weight [kg]
027211	Body: Aluminum Drill Sleeve: Hardened Steel Fasteners: Galvanized Steel	1.00

End Cap

For closing Rail Ends



Part No.	Material	Weight [kg]
020662-31*	Plastic	0.004

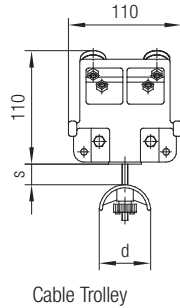
* Standard range

Cable Trolleys for Flat Cables Program 0270

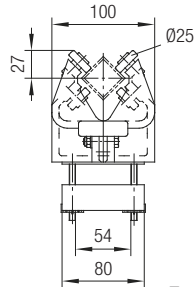
Plastic Cable Trolley and Cable Support



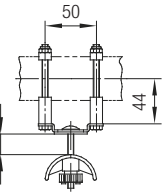
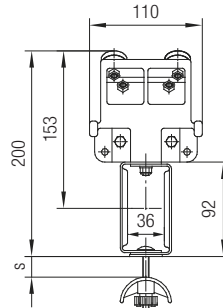
Rollers:
Ball Bearings, galvanized;
Cover Plate ZZ.
Max. Load Capacity: 16 kg



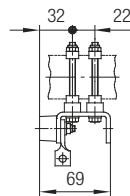
Cable Trolley



Towing Trolley



End Clamp



End Stop
Part No. 027112

Cable Trolley Part No.	[kg]	Towing Trolley Part No.	[kg]	End Clamp Part No.	[kg]	d [mm]	s [mm]
027261*	0.60	027267*	1.01	027268*	0.21	50	25
027271*	0.62	027277*	1.03	027278*	0.23	80	15

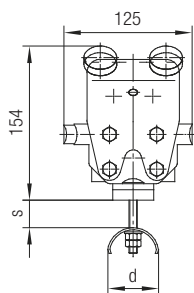
* Standard range

Galvanized Steel Cable Trolley and Cable Support; Light Series

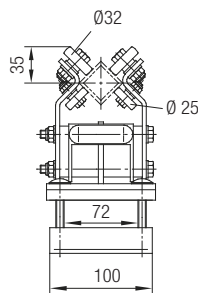


Cable Trolley Part No.	[kg]	Towing Trolley Part No.	[kg]	End Clamp Part No.	[kg]	d [mm]	s [mm]
027339-125x100*	2.10	027349-125x100*	2.63	027329-100x042*	0.54	50	30
027340-125x100*	2.15	027350-125x100*	2.68	027330-100x068*	0.61	80	15

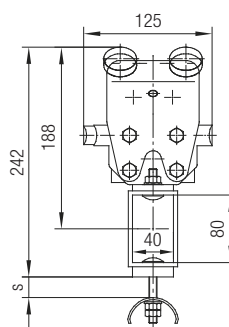
* Standard range



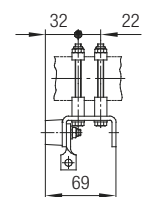
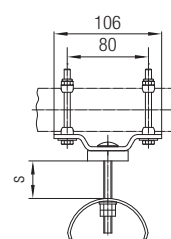
Cable Trolley



Towing Trolley



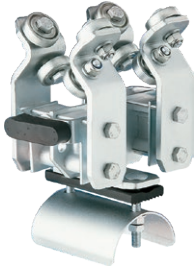
End Clamp



End Stop
Part No. 027111

Cable Trolleys for Flat Cables Program 0270

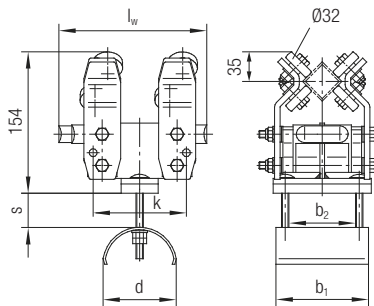
Galvanized Steel Cable Trolley and Cable Support; Heavy Duty Series



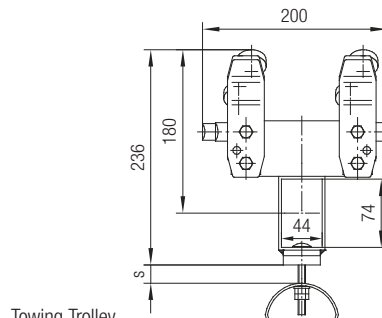
Rollers:
Ball Bearings, galvanized;
Cover Plate ZZ.
Max. Load Capacity: 25 kg

Cable Trolley Part No.	[kg]	Towing Trolley Part No.	[kg]	End Clamp Part No.	[kg]	d_a [mm]	l_w [mm]	b_1 [mm]	b_2 [mm]	s [mm]	k [mm]
027310-160x100*	2.87	027320-200x100*	3.52	027330-100x068*	0.68	80	160	100	72	38	101
027310-160x160*	3.11	027320-200x160*	4.03	027330-160x068*	0.92			160	132		
027310-200x100	2.99	027320-200x100*	3.52	027330-100x068*	0.68		200	100	72	58	141
027310-200x160	3.23	027320-200x160*	4.03	027330-160x068*	0.92			160	132		
027312-200x100*	3.09	027322-200x100*	3.69	027332-100x048*	0.78	125	200	100	72	35	
027312-200x160*	3.42	027322-200x160*	4.22	027332-160x048*	1.11			160	132		
027313-250x100*	3.34	027323-250x100*	3.94	027333-100x048*	0.98	160	250	115	72	42	181
027313-250x160*	3.76	027323-250x160*	4.56	027333-160x048*	1.38			175	132		

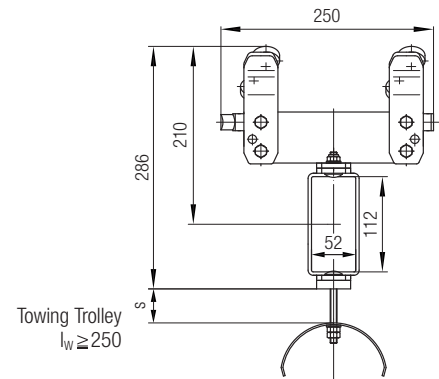
* Standard range



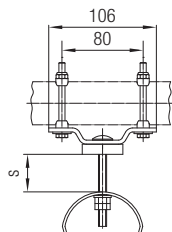
Cable Trolley



Towing Trolley
 $l_w \leq 200$



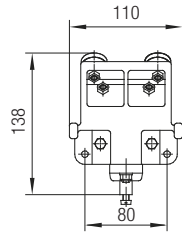
Towing Trolley
 $l_w \geq 250$



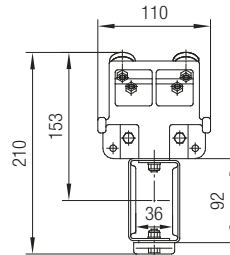
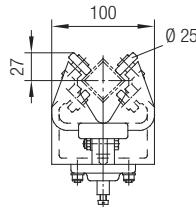
End Clamp

Cable Trolleys for Round Cable and Hose Program 0270

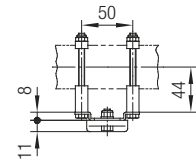
Plastic Cable Trolleys with Ball Joints for Cable Clips (Part No. 020131 below)



Cable Trolley
Part No. 027291



Towing Trolley
Part No. 027297

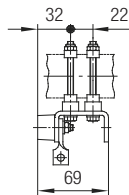


End Clamp
Part No. 027298

Rollers:
Ball Bearings, galvanized;
Cover Plate ZZ.
Max. Load Capacity: 16 kg

Several Cable Clips
can be combined

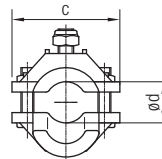
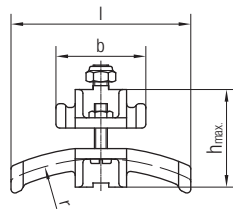
End Stop
Part No. 027112



Cable Trolley Part No.	[kg]	Towing Trolley Part No.	[kg]	End Clamp Part No.	[kg]
027291*	0.59	027297*	0.97	027298*	0.18

* Standard range

Cable Clips - to be connected to the Trolley Ball Joint

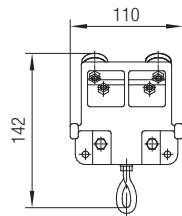


Part No.	for Cables ø d [mm]	r [mm]	l [mm]	h [mm]	b [mm]	c [mm]	Body Material	Hardware Finish	Weight [kg]
020131-16*	10...16	80	70	38	35	42	Plastic	Galvanized Steel	0.04
020131-25*	17...25	125	100	47	50	50			0.06
020131-36*	26...36	180	140	58	70	64			0.12

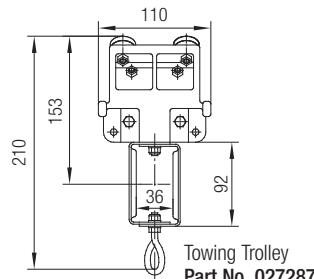
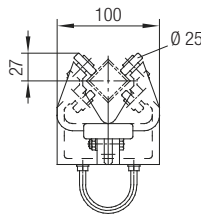
* Standard range

Cable Trolleys for Round Cable and Hose Program 0270

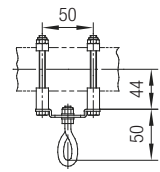
Plastic Cable Trolleys with Brackets for Cable Clips (Part No. 020133 below)



Cable Trolley
Part No. 027281



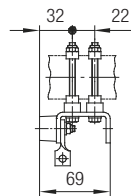
Towing Trolley
Part No. 027287



End Clamp
Part No. 027288

Rollers:
Ball Bearings, galvanized;
Cover Plate ZZ.
Max. Load Capacity: 16 kg

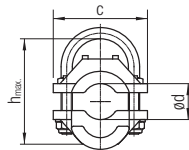
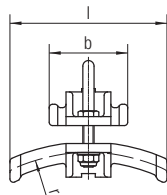
End Stop
Part No. 027112



Cable Trolley Part No.	[kg]	Towing Trolley Part No.	[kg]	End Clamp Part No.	[kg]
027281*	0.57	027287*	0.99	027288*	0.21

* Standard range

Cable Clips - to be connected to the Trolley Bracket



Part No.	for Cables $\varnothing d$ [mm]	r [mm]	l [mm]	h [mm]	b [mm]	c [mm]	Weight [kg]
020133-16*	10...16	80	70	48	35	42	0.05
020133-25*	17...25	125	100	60	50	50	0.07
020133-36*	26...36	180	140	78	70	64	0.14

* Standard range

Material: Plastic;
Fasteners:
Galvanized Steel

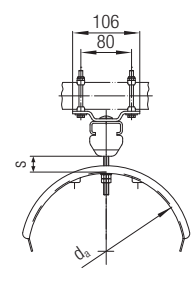
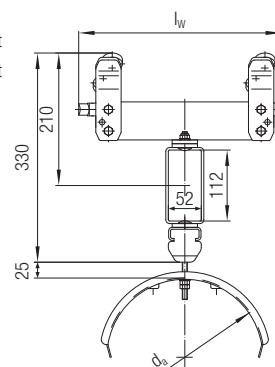
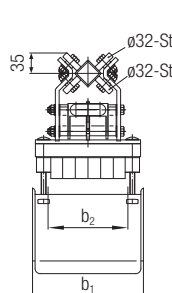
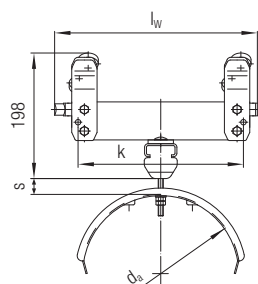
Cable Clips 020131 can be mounted underneath Cable Clips with Brackets 020133

Galvanized Steel Cable Trolleys; Heavy Duty Series



Cable Trolley Part No.	[kg]	Towing Trolley Part No.	[kg]	End Clamp Part No.	[kg]	d_a [mm]	l_w [mm]	b_1 [mm]	b_2 [mm]	s [mm]	k [mm]
027873-200x100	3.44	027883-200x100	4.21	027893-100	1.06	160	200	115	65	16	141
027873-200x160	3.86	027883-200x160	4.75	027893-160	1.18			175	125		
027874-250x160	4.21	027884-250x160	5.10	027894-160	1.83	200	250	175	125	20	181
027874-250x200	4.61	027884-250x200	5.38	027894-200	2.23			215	165		
027875-320x160	4.66	027885-320x160	5.55	027895-160	2.08	250	320	175	125	25	251
027875-320x200	5.06	027885-320x200	5.83	027895-200	2.48			215	165		

Rollers:
Ball Bearings, galvanized;
Cover Plate ZZ.
Max. Load Capacity: 25 kg



Ideal Control Unit Trolley Program 0270

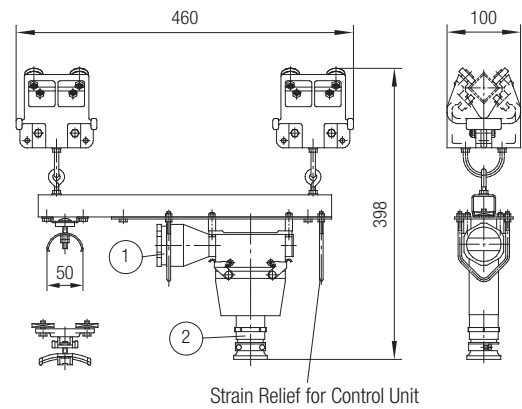
Ideal Control Unit Trolley with Plug and Socket Connection



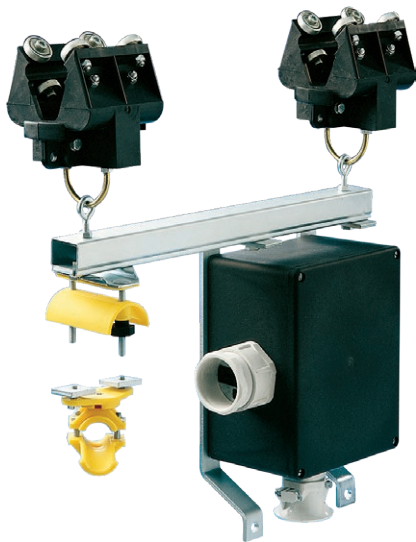
Rated Voltage 400 V; Rated Current 16 A;
Protection Type IP55 as defined by DIN 40050;
Screw Connection 2.5 mm²

Part No.	Number of poles	Fittings		Weight [kg]
		①	②	
027178-16*	16 + PE	25x42	25x21	3.72
027178-24*	24 + PE	25x42	32x29	4.10

* Standard range



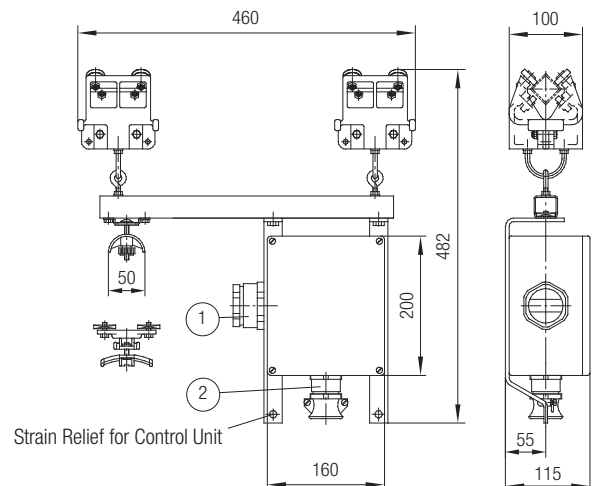
Ideal Control Unit Trolley with Plastic Terminal Box



Rated Voltage 400 V; Rated Current 16 A;
Protection Type IP55 as defined by DIN 40050;
Terminal Block 4 mm²

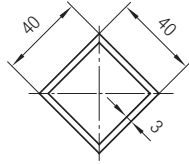
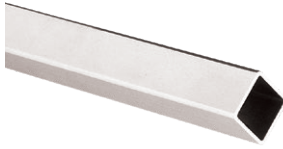
Part No.	Number of poles	Fittings		Weight [kg]
		①	②	
027174-16*	16 + PE	50x42	25x21	5.46
027174-24	24 + PE	50x42	32x29	5.86

* Standard range



Square Rails and Accessories for Curved Tracks Program 0280

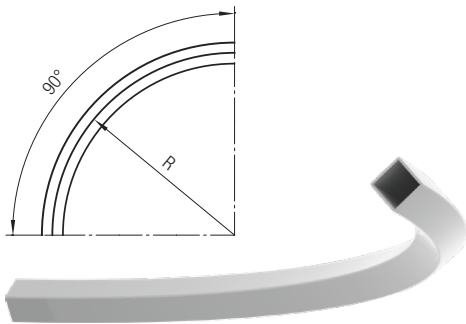
Square Rail 40 x 40



Part No.	Material	L [mm]	Static Values	Weight [kg/m]
028100-6*	Galvanized Steel	6000	$I_x = 9.91 \text{ cm}^4$ $W_x = 3.66 \text{ cm}^3$	3.32

* Standard range

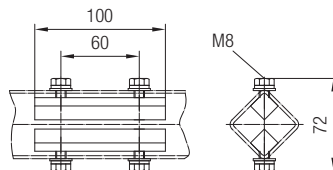
90° Curves



Part No.	Material	R [mm]	Stretched Length [mm]	Cable Loop max. 0.7 x R	Weight [kg]
028102-01000*	Galvanized Steel	1000	1570	700	5.20
028102-01200*		1200	1885	840	6.25
028102-01400*		1400	2200	980	7.30
028102-01600*		1600	2510	1120	8.30
028102-01800*		1800	2890	1260	9.60
028102-02000*		2000	3140	1400	10.40

* Standard range

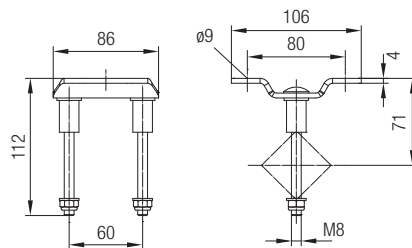
Track Coupler



Part No.	Material	Weight [kg]
028105*	Galvanized Steel	0.33

* Standard range

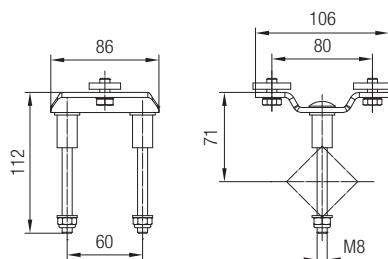
Track Support Bracket for Ceiling Mounting



Part No.	Material	Max. Load [kg]	Weight [kg]
028120*	Galvanized Steel	250	0.33

* Standard range

Track Support Bracket for mounting on Support Arm 40 x 40 x 2.5 mm

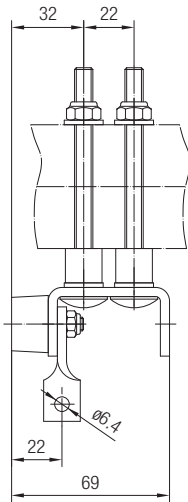


Part No.	Material	Max. Load [kg]	Weight [kg]
028121*	Galvanized Steel	250	0.39

* Standard range

Accessories for Program 0280

End Stop

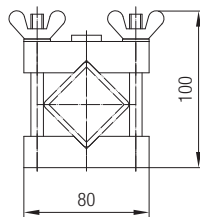


Part No.	Material	Weight [kg]
028111*	Galvanized Steel; Rubber Buffer	0.22

* Standard range

Drilling Fixture

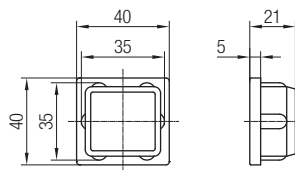
For drilling holes into rails and curves



Part No.	Materials	Weight [kg]
028107	Body: Aluminum Drill Sleeve: Hardened Steel Fasteners: Galvanized Steel	1.09

End Cap

For closing Rail Ends



Part No.	Material	Weight [kg]
020662-40*	Plastic	0.004

* Standard range

Cable Trolleys for Flat Cable/Round Cable Program 0280

Galvanized Steel Cable Trolleys; for Flat Cables

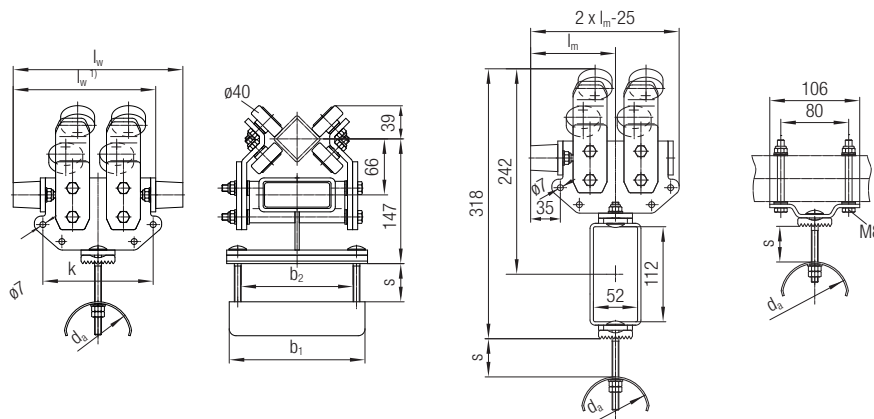


Cable Trolley Part No.	[kg]	Towing Trolley Part No.	[kg]	End Clamp Part No.	[kg]	d_a [mm]	l_w [mm]	b_1 [mm]	b_2 [mm]	s [mm]	k [mm]	l_m [mm]
028250-200x100*	4.62	028260-200x100*	5.26	028230-100x068*	0.57	80	200	100	72	45	130	100
028250-200x160*	4.86	028260-200x160*	5.62	028230-160x068*	0.86			160	132			
028252-250x100*	4.91	028262-250x100*	5.55	028232-100x068*	0.68	125	250	100	72	50	180	125
028252-250x160*	5.24	028262-250x160*	6.00	028232-160x068*	1.34			160	132			
028253-250x160*	5.34	028263-250x160*	6.10	028233-160x068*	1.50	160	250	175	132	35	180	125
028253-250x200*	5.73	028263-250x200*	6.37	028233-200x068*	1.95			215	172			
028253-290x160	5.44	028263-320x160	6.20	028233-160x068*	1.50			288 ¹⁾	175	132	50	250
028253-290x200	5.83	028263-320x200	6.47	028233-200x068*	1.95	215	172					

* Standard range

¹⁾ Cable Trolley with Rubber Buffer on one side

Rollers:
Ball Bearings, galvanized;
Sealing Disk RS.
Max. Load Capacity: 36 kg



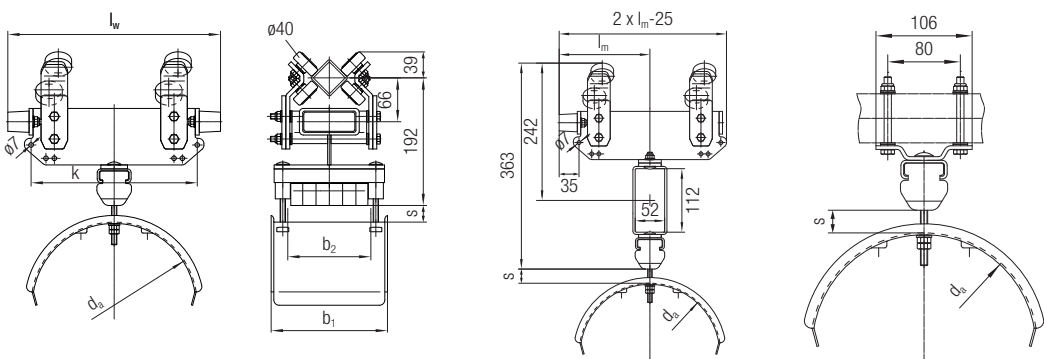
Galvanized Steel Cable Trolleys; for Round Cables



Cable Trolley Part No.	[kg]	Towing Trolley Part No.	[kg]	End Clamp Part No.	[kg]	d_a [mm]	l_w [mm]	b_1 [mm]	b_2 [mm]	s [mm]	k [mm]	l_m [mm]
028464-250x100	5.15	028474-250x100*	5.92	028394-100*	1.38	200	250	115	65	20	180	125
028464-250x160*	5.72	028474-250x160*	6.61	028394-160*	1.93			175	125			
028465-320x160*	6.17	028475-320x160*	7.10	028395-160*	2.18	250	320	175	125	25	250	160
028465-320x250	6.87	028475-320x250*	7.76	028395-250*	2.88			265	215			
028467-400x160*	7.03	028477-400x160*	7.92	028397-160*	2.78	320	400	175	132	32	330	200
028467-400x250	7.83	028477-400x250	8.72	028397-250	3.58			265	215			

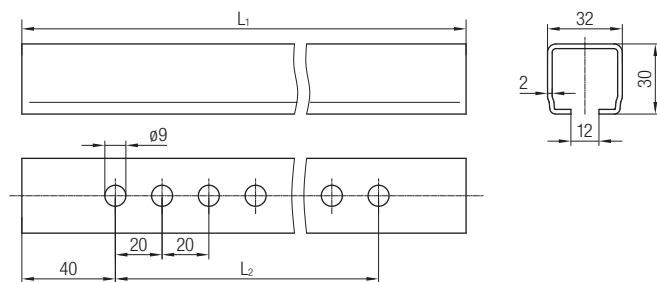
* Standard range

Rollers:
Ball Bearings, galvanized;
Sealing Disk RS.
Max. Load Capacity: 36 kg



Accessories for Cable Trolleys Program 0270/0280

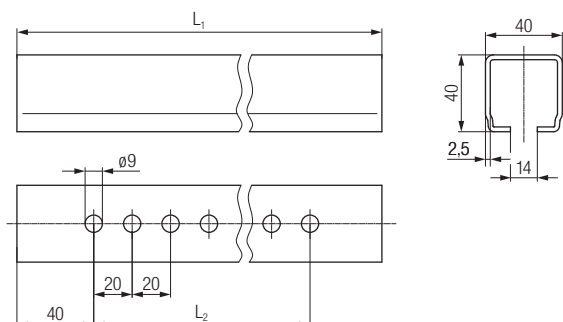
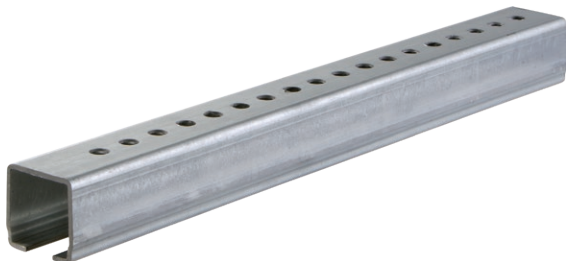
Punched Support Arms 30 x 32 x 2 mm for Program 0270



Part No.	L ₁ [mm]	L ₂ [mm]	Material	Weight [kg]
020185-0250	250	200	Galvanized Steel	0.39
020185-0315	315	260		0.50
020185-0400	400	340		0.63
020185-0500*	500	340		0.78
020185-0630	630	340		0.98
020185-0800	800	340		1.25
020185-1000*	1000	340		1.55
020185-1250	1250	340		1.95

* Standard range

Punched Support Arms 40 x 40 x 2.5 mm for Program 0270/0280

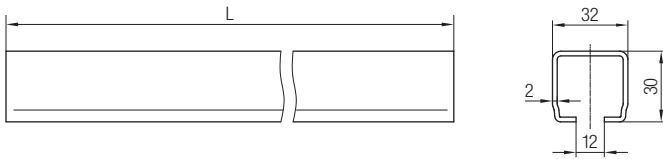


Part No.	L ₁ [mm]	L ₂ [mm]	Material	Weight [kg]
020186-0250	250	200	Galvanized Steel	0.63
020186-0315	315	260		0.79
020186-0400	400	340		1.00
020186-0500*	500	340		1.25
020186-0630	630	340		1.58
020186-0800	800	340		2.00
020186-1000*	1000	340		2.50
020186-1250	1250	340		3.13

* Standard range

Accessories for Cable Trolleys Program 0270/0280

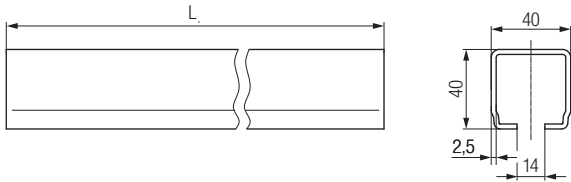
Unpunched Support Arms 30 x 32 x 2 mm for Program 0270



Part No.	L [mm]	Material	Weight [kg]
020275-0250	250	Galvanized Steel	0.39
020275-0400	400		0.63
020275-0500*	500		0.78
020275-0630	630		0.98
020275-0800	800		1.25
020275-1000*	1000		1.55
020275-1250	1250		1.95

* Standard range

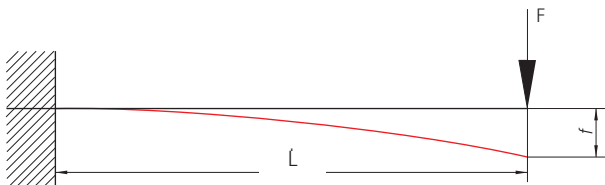
Unpunched Support Arms 40 x 40 x 2.5 mm for Program 0270/0280



Part No.	L [mm]	Material	Weight [kg]
020276-0450	450	Galvanized Steel	1.13
020276-0550	550		1.38
020276-0650*	650		1.63
020276-0840	840		2.10
020276-0950	950		2.38
020276-1000	1000		2.50
020276-1150*	1150		2.88

* Standard range

Permissible Load for Support Arms



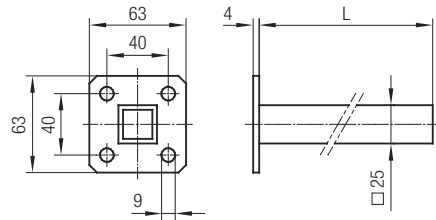
Note:

- Calculated with $\sigma = 140 \text{ N/mm}^2$ tension
- f = associated max. deflection

		L [mm]								
		0.25	0.40	0.50	0.65	0.80	1.00	1.25	1.52	2.00
Support Arm 30 x 32 x 2 mm	F [kg]	76.0	47.5	38.0	29.0	24.0	19.0	15.0	12.5	9.50
	f [cm]	0.08	0.20	0.32	0.60	0.90	1.40	2.20	3.30	5.70
Support Arm 40 x 40 x 2.5 mm	F [kg]	164.5	103.0	82.0	63.0	51.5	41.0	33.0	27.0	20.5
	f [cm]	0.07	0.20	0.30	0.45	0.70	1.10	1.70	2.50	4.30

Accessories for Cable Trolleys Program 0270/0280

Towing Arms



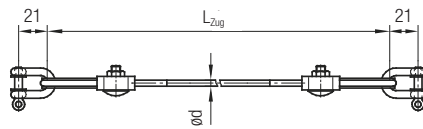
Part No.	L [mm]	Material	Weight [kg]
020195-400	400	Galvanized Steel	0.60
020195-630*	630	Steel	1.00

* Standard range

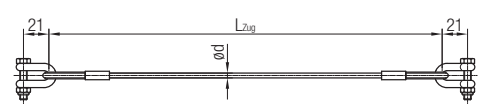
Tow Ropes



Type A



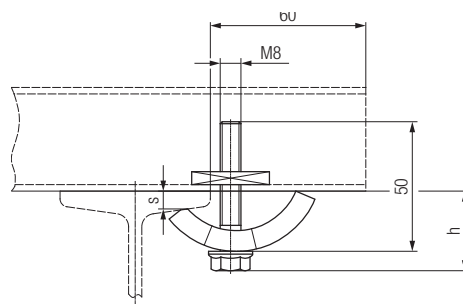
Type B



Part No.	ød [mm]	Type	Material	Weight [kg]	for Program
020316-04*	4	A	Plastic	0.12	0270 Plastic Cable Trolleys
020329-04*	4	B	Galv. Steel; PVC jacket	0.16	0270 Steel Cable Trolleys; 0280
020328-04*	4	B	Galvanized Steel	0.20	0270 Steel Cable Trolleys; 0280

* Standard range

Girder Clips, clamping thickness range 4 - 20 mm



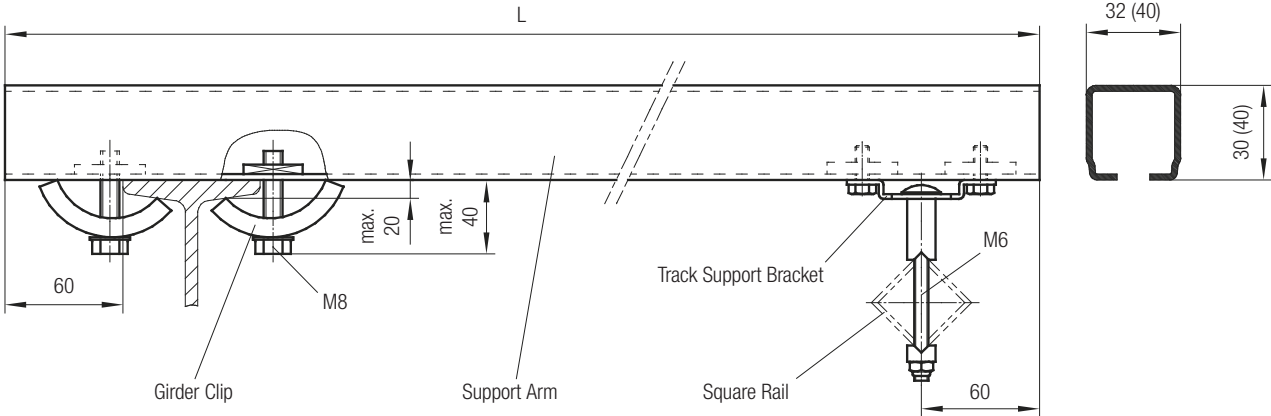
Part No.	Material	Weight [kg]
020180-08*	Galvanized Steel	0.15
020480-08	Stainless Steel V4A	0.15

* Standard range

Clamping thickness	s	4	6	8	10	12	16	20
Installation height	h	31	32	33	34	35	37	40

Accessories for Cable Trolleys Program 0270/0280

Application Example



Project Planning

Determining the Support Distance for Square Rail Program 0270

Technical Data / Calculation Assumptions

The required support distance of the square rail can be determined using the diagram below. The following calculation assumptions have been taken into consideration:

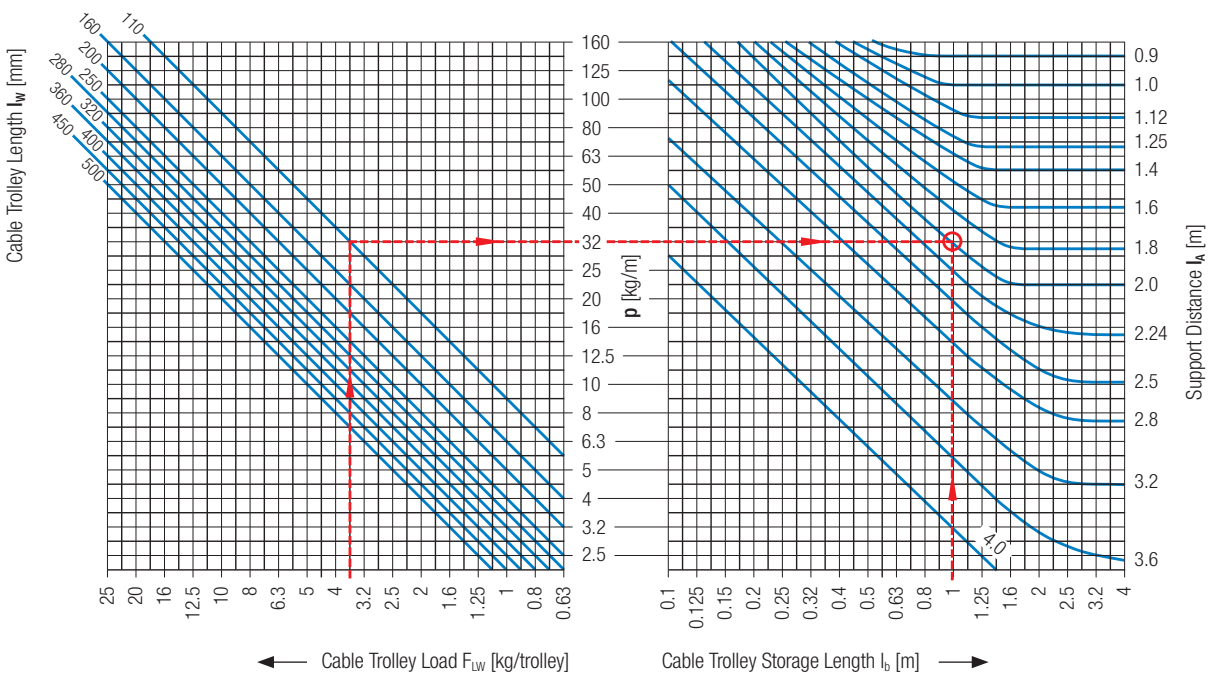
1. Simply-supported beam, uniform load symmetrical to middle of the beam
2. The load of one trolley F_{LW} [kg/trolley] is distributed over trolley length l_w as a uniform load p [kg/m]
3. Total length of the uniform load results from the cable trolley storage length l_b [m] of all trolleys side by side
4. $\sigma_{b,zul} = 100 \text{ N/mm}^2$
5. $f = l_A/250$ permissible deflection from the load and net weight of the rail
6. As track support bracket load the load of a field symmetrical to the mounting (bracket) is assumed

Example:

Given:

F_{LW} = Cable Trolley Load: 3.6 kg (X axis value on the left-hand graph below)
 l_w = Cable Trolley Length: 110 mm (blue line on the left graph)
 Z = Overall number of Cable Trolleys: 9
 l_b = Cable Trolley Storage Length: 0.99 m (X axis on the right-hand graph below)
 (m) = $Z \times l_w / 1000$

Load Diagram for Square Rail 30 x 30 x 2 (020275)



Result for Square Rail 30 x 30 x 2

From Diagram:

Required Support Distance $l_A = 2.0$ m

Note: Support distance in curves should not exceed two thirds of the required support distance for a straight track.

Project Planning

Determining the Support Distance for Square Rail Program 0280

Technical Data / Calculation Assumptions

The required support distance of the square rail can be determined using the diagram below. The following calculation assumptions have been taken into consideration:

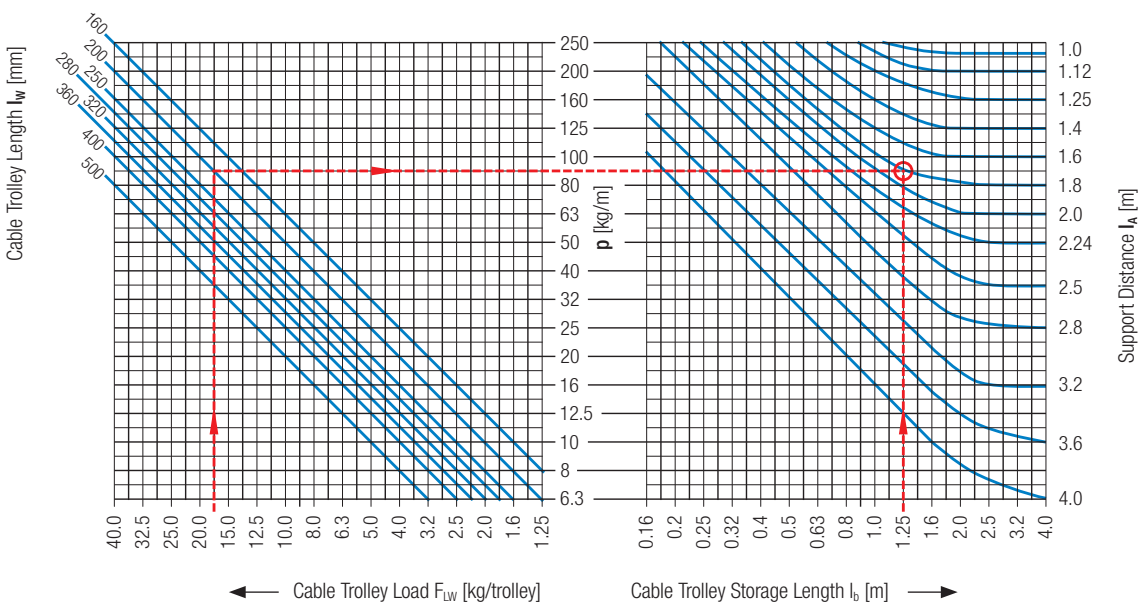
1. Simply-supported beam, uniform load symmetrical to middle of the beam
2. The load of one trolley F_{LW} [kg/trolley] is distributed over trolley length l_w as a uniform load p [kg/m]
3. Total length of the uniform load results from the cable trolley storage length l_b [m] of all trolleys side by side
4. $\sigma_{b_{zul}} = 100 \text{ N/mm}^2$
5. $f = l_b/250$ permissible deflection from the load and net weight of the rail
6. As track support bracket load the load of a field symmetrical to the mounting (bracket) is assumed

Example:

Given:

- F_{LW} = Cable Trolley Load: 18 kg (X axis value on the left-hand graph below)
 l_w = Cable Trolley Length: 200 mm (blue line on the left graph below)
 Z = Overall number of Cable Trolleys: 6
 l_b = Cable Trolley Storage Length: 1.20 m (X axis value on the right-hand graph below)
 (m) = $Z \times l_w / 1000$

Load Diagram for Square Rail 40 x 40 x 3 (020276)



Result for Square Rail 40 x 40 x 3

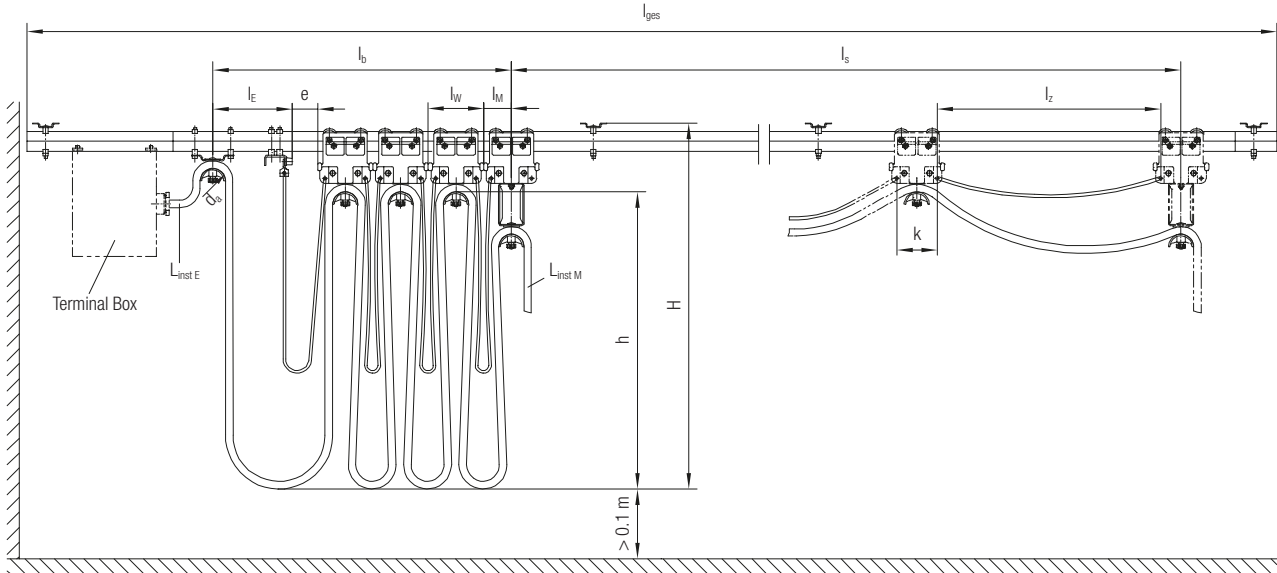
From Diagram:

Required Support Distance $l_A = 1.8 \text{ m}$

Note: Support distance in curves should not exceed two thirds of the required support distance for a straight track.

Project Planning

Technical Data



Calculating the number of Cable Loops, required Cable Length, and Loop Length

Number of loops:

$$n = \frac{f \cdot (l_s + e)}{2 \cdot h + 1.25 \cdot d_a - f \cdot l_w}$$

Cable Trolley storage length:

$$l_b \approx n \cdot l_w + e \quad [\text{m}]$$

Cable system length:

$$L_{\text{Syst}} = f \cdot (l_s + l_b) \quad [\text{m}]$$

Total cable length:

$$L_{\text{Best}} = L_{\text{Syst}} + L_{\text{instE}} + L_{\text{instM}} \quad [\text{m}]$$

Required length of tension relief:

$$l_z = \frac{1.05 \cdot (l_s + l_b)}{n} - k \quad [\text{m}]$$

For plastic Cable Trolleys: $k = 0.08 \quad [\text{m}]$
 For steel Cable Trolleys: $k = l_w - 0.06 \quad [\text{m}]$

Loop length:

$$L_{\text{Schl}} = \frac{L_{\text{Syst}}}{n} \quad [\text{m}]$$

Loop depth:

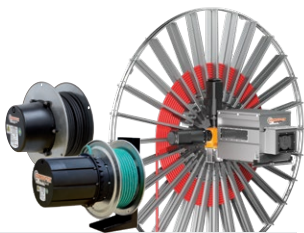
$$h = \frac{L_{\text{Schl}}}{2} - 0.63 \cdot d_a \leq 0.7 \cdot R_{\text{min}} \quad [\text{m}]$$

- d_a [m] = Cable Support diameter
- e [m] = Tolerance in the Cable Trolley storage length (recommended $\geq 0.1 \text{ m}$)
- f = Length factor for cables (1.2 for square rails)
- h [m] = Loop depth (measured from top edge of Cable Support)
- H [m] = Overall installation space
- l_b [m] = Cable Trolley storage length incl. tolerance "e"
- l_s [m] = Travel distance
- l_w [m] = Cable Trolley length
- l_z [m] = Length of tension relief
- L_{Best} [m] = Total cable length
- L_{instE} [m] = Length for fixed installation, End Clamp side
- L_{instM} [m] = Length for fixed installation, Towing Trolley side
- L_{Schl} [m] = Loop length
- L_{Syst} [m] = Required cable length measured from middle of the End Clamp to middle of the Towing Trolley / Cable Clamp
- n = Number of loops
- R_{min} [m] = Smallest radius for curved track

The maximum permissible cable loop depends on the smallest radius to be passed. Loops which do not pass this radius can be larger accordingly.

Your Applications – our Solutions

The solutions we deliver for your applications are based on your specific requirements. In many cases, a combination of several different Conductix-Wampfler systems can prove advantageous. You can count on Conductix-Wampfler for hands-on engineering support together with the optimum solution to safely meet your needs.



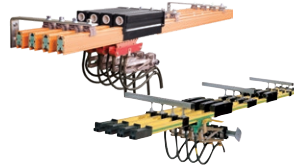
Cable and Hose Reels

Motor driven and spring driven reels by Conductix-Wampfler provide energy, data and media over a variety of distances, in all directions, fast and safe.



Festoon Systems

Conductix-Wampfler cable trolleys can be used in virtually every industrial application. They are reliable, robust and available in an enormous variety of dimensions and designs.



Conductor Rails

Available as enclosed or multiple unipole systems, Conductix-Wampfler conductor rails reliably move people and material.



Inductive Power Transfer

The no-contact system for transferring energy and data. For all tasks that depend on high speeds and absolute resistance to wear. Flexible installation when used with Automated Guided Vehicles.



Non-insulated Conductor Rails

Robust, non-insulated aluminum conductor rails with stainless steel cap provide the ideal basis for power supply of people movers and transit networks.



Radio Remote Controls

Safety remote control solutions customized to meet our customer needs with modern ergonomic design.



Reels, Retractors and Balancers

Available for hoses and cables, as classical reels or high-precision positioning aids for tools, we offer a complete range of reels and spring balancers.



Jib Booms

Complete with tool transporters, reels or an entire media supply system – safety and flexibility are key to the completion of difficult tasks.



Slip Ring Assemblies

Whenever things are really “moving in circles”, the proven slip ring assemblies by Conductix-Wampfler ensure the flawless transfer of energy and data. Here, everything revolves around flexibility and reliability!



Mobile Control Systems

Mobile control solutions for your plant – whether straightforward or intricate. Control and communication systems from LJU have been tried and tested in the automotive industry for decades.



ProfidAT®

This data transfer system is a compact slotted waveguide and furthermore can be used as Grounding rail (PE) as well as positioning rail at the same time.

www.conductix.com

Conductix-Wampfler

has just one critical mission:

To provide you with energy and data transmission systems that will keep your operations up and running 24/7/365.

To contact your nearest sales office, please refer to:

www.conductix.contact

